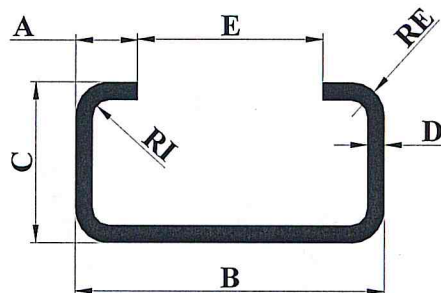


## Tabela de Produtos (Dobrados a Frio)



Código Interno	Dimensões							Observações
	A	B	C	D	E	RI	RE	
10.15.141.1	5,0	20,0	10,0	1,5	10,0	3,0	-	
10.15.237.2	7,0	29,0	16,0	2,0	15,0	3,0	-	
10.15.243.2	7,0	28,0	12,0	2,0	14,0	3,0	-	
10.15.244.2	7,0	28,0	16,0	2,0	14,0	3,0	-	
10.15.245.2	7,0	35,0	15,0	2,0	21,0	3,0	-	
10.15.365.1	10,0	38,0	18,0	2,5	18,0	3,0	-	
10.15.532.1	5,0	20,0	10,0	1,5	10,0	3,0	-	
10.15.847	7,0	28,0	16,0	2,0	14,0	3,0	-	
10.15.961	10,0	38,0	17,0	3,0	14,0	3,0	-	
10.15.1161	12,5	38,0	18,0	2,5	13,0	3,0	-	
10.14.137.1	11,0	29,0	16,0	2,0	7,0	-	-	
10.14.138.1	12,5	38,0	18,0	2,5	13,0	-	-	
10.14.235.1	10,0	38,0	17,0	1,5	18,0	-	-	
10.14.241.1	12,0	38,0	17,0	3,0	14,0	-	-	
10.14.098.1	10,0	40,0	15,0	3,0	20,0	-	-	
10.14.242.1	12,0	37,0	13,0	2,0	13,0	-	-	
10.14.246.1	15,0	75,0	35,0	3,0	45,0	-	-	
10.14.247.1	15,0	75,0	35,0	1,9	45,0	-	-	
10.14.295	15,0	75,0	35,0	1,9	45,0	-	-	
10.14.350.1	14,0	38,0	18,0	2,5	10,0	-	-	
10.14.351.1	13,0	28,0	16,0	2,0	2,0	-	-	
10.14.570.1	10,0	30,0	15,0	1,5	10,0	-	-	
10.14.620.1	12,5	38,0	18,0	2,5	13,0	-	-	
10.14.817	10,0	38,0	17,0	3,0	18,0	-	-	
10.14.865	9,0	30,0	24,0	2,0	12,0	-	-	
10.14.939	15,0	93,0	17,0	1,5	63,0	-	-	
10.14.940	10,0	35,0	20,0	2,0	15,0	-	-	
10.14.797	9,0	50,0	10,5	1,0	32,0	-	-	
10.14.954	8,0	30,0	24,0	1,5	14,0	-	-	

Todas as medidas e tolerâncias a serem negociadas / Produtos Industrializados em: Aço Inoxidável, Carbono e Outras Ligas.

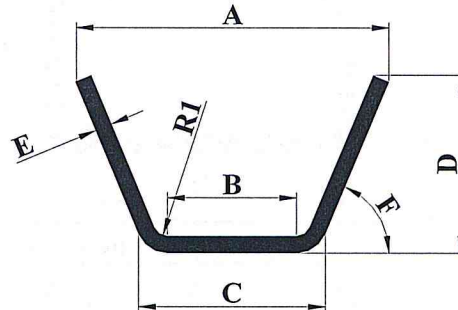


# Tabela de Produtos (Dobrados a Frio)

Número: TP - 003

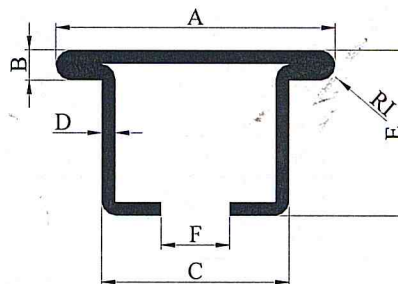
Emissão: 02/05/2018

Página 4 de 6



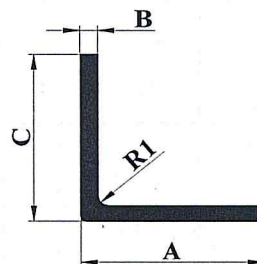
Código Interno	Dimensões						
	A	B	C	D	E	F	R1
10.14.173.1	37,0	17,4	24,2	18,0	2,0	70°	2,5

Todas as medidas e tolerâncias a serem negociadas / Produtos Industrializados em: Aço Inoxidável, Carbono e Outras Ligas.



Código Interno	Dimensões						
	A	B	C	D	E	F	RI
10.15.140.1	29,0	3,0	20,0	1,5	19,03	8,5	1,5

Todas as medidas e tolerâncias a serem negociadas / Produtos Industrializados em: Aço Inoxidável, Carbono e Outras Ligas.



Código Interno	Dimensões			
	A	B	C	RI
100.15.171.1	25,4	3,0	25,4	2,0
100.15.172.1	19,0	3,0	19,0	2,0
100.15.190.1	19,5	3,17	19,5	2,0
100.15.234.1	19,05	3,0	19,05	2,0
100.15.238.1	25,4	3,0	25,4	2,0
100.15.239.1	15,88	3,0	15,88	2,0
100.15.263.1	15,5	3,0	15,5	2,0
100.15.264.1	20,0	3,0	20,0	2,0



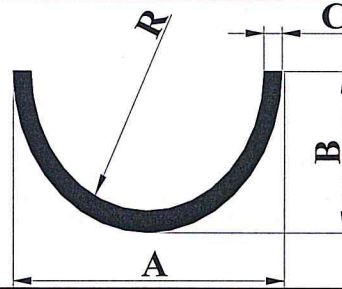


## Tabela de Produtos (Dobrados a Frio)

Número: TP - 003  
Emissão: 02/05/2018  
Página 5 de 6

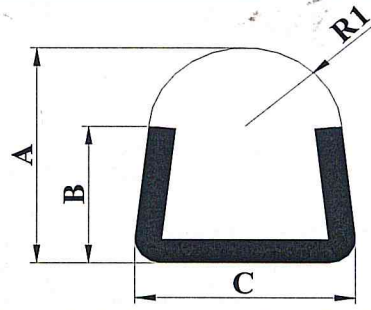
100.15.265.1	16,5	3,0	16,5	2,0
100.15.266.1	12,7	3,0	12,7	2,0
100.15.267.1	38,0	3,0	38,0	2,0
100.14.381.1	50,8	4,76	50,8	2,0
100.14.383.1	63,5	6,3	63,5	2,0
100.14.617.1	50,8	7,94	50,8	2,0

Todas as medidas e tolerâncias a serem negociadas / Produtos Industrializados em: Aço Inoxidável, Carbono e Outras Ligas.



Código Interno	Dimensões				Observações
	A	B	C	R	
10.14.135.1	22,0	9,5	3,0	8,2	

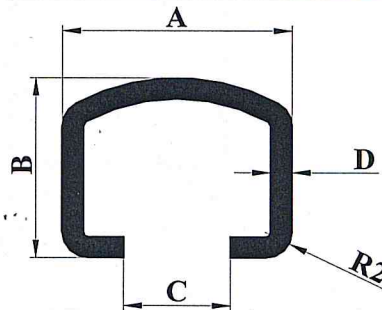
Todas as medidas e tolerâncias a serem negociadas / Produtos Industrializados em: Aço Inoxidável, Carbono e Outras Ligas.



N

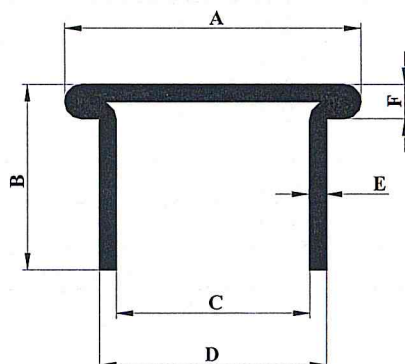
Código Interno	Dimensões (mm)				Observação
	A	B	C	R1	
10.15.421.2	17,5	11,5	17,0	-	Com plástico

Todas as medidas e tolerâncias a serem negociadas / Produtos Industrializados em: Aço Inoxidável, Carbono e Outras Ligas.



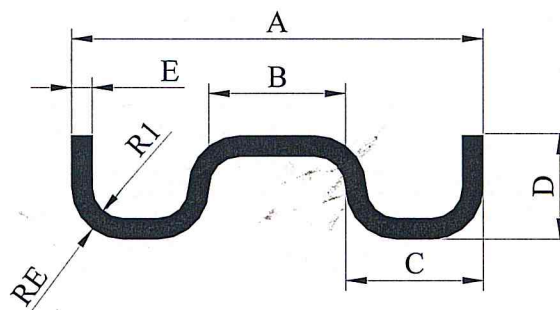
Código Interno	Dimensões (mm)					Observações
	A	B	C	D	R2	
10.15.032.1	8,6	7,0	4,0	0,8	1,0	-----

Todas as medidas e tolerâncias a serem negociadas / Produtos Industrializados em: Aço Inoxidável, Carbono e Outras Ligas.



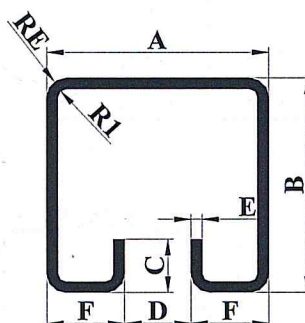
Código Interno	Dimensões (mm)						Observações
	A	B	C	D	E	F	
10.14.268.1	31,0	15,0	20,0	23,0	1,5	3,0	-----

Todas as medidas e tolerâncias a serem negociadas /Produtos Industrializados em: Aço Inoxidável, Carbono e Outras Ligas.



Código Interno	Dimensões (mm)							
	A	B	C	D	E	R1	RE	Observações
10.15.136.1	40,0	13,3	NE	10,0	2,0	2,5	-	-----
10.15.544	40,0	13,3	NE	8,0	2,0	2,5	5,0	-----

Todas as medidas e tolerâncias a serem negociadas /Produtos Industrializados em: Aço Inoxidável, Carbono e Outras Ligas.



Código Interno	Dimensões (mm)								
	A	B	C	D	E	F	R1	RE	Observações
10.14.269.1	40,0	40	10,0	12,0	2,0	14,0	3,0	-	
10.14.411.1	60,0	60,0	15,0	12,0	2,0	24,0	2,5	-	

Todas as medidas e tolerâncias a serem negociadas / Produtos Industrializados em: Aço Inoxidável, Carbono e Outras Ligas.